

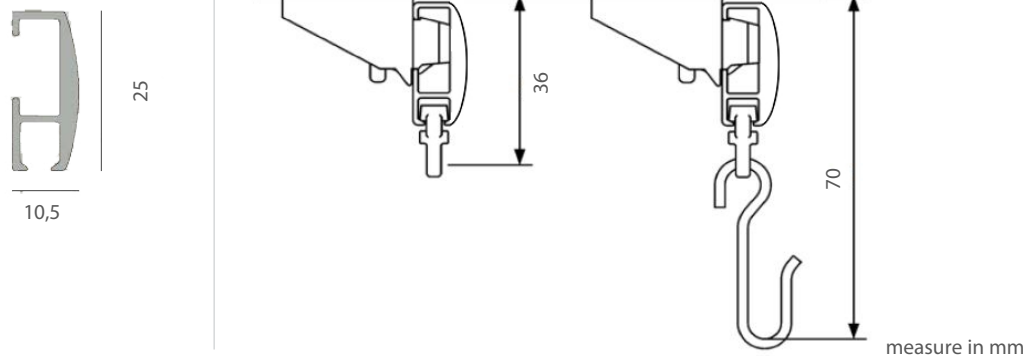
ELITE DESIGN TRACK HYDRO CIRCAL®

The Elite Design Hydro CIRCAL®, found in our curtain track portfolio, is made of minimum 75% recycled aluminium. The track is manufactured locally in Vetlanda (Sweden) with low emissions during the process. As the name reveals, the track is based on the original Luxaflex® Elite track, but with a rounded front. The track is used for most curtain suspensions, from light to medium heavy. Easy mounting with snap function. Used with a variety of different gliders, both regular and glider on cord, same accessories as the original Luxaflex® Elite.

- Material: aluminium
- Color: white (RAL 9003), black and gold
- Manufacture: produced and extruded by Hydro, Sweden
- Operation: manually
- Length: 6000 mm without joint
- Mounting: ceiling, wall, niche and pendant
- Bending: angle and round
- Textile weight: medium (max. 8 kg per 6 m track)
- Silicone treated
- Optional: hole punched track for easier insertion and removal of the gliders

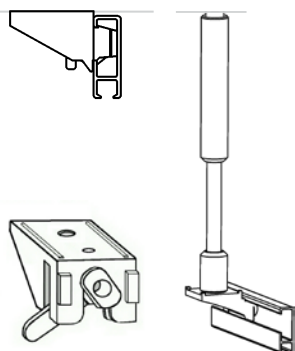
TECHNICAL INFORMATION

Profile

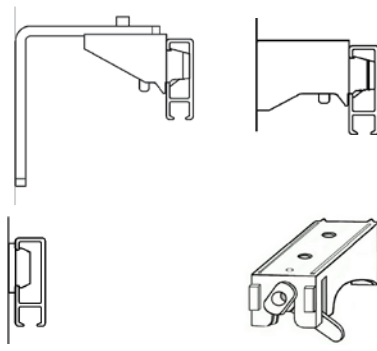


Mounting

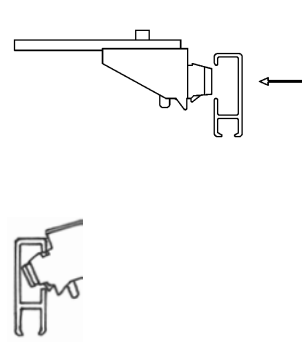
CEILING



WALL



ASSEMBLY

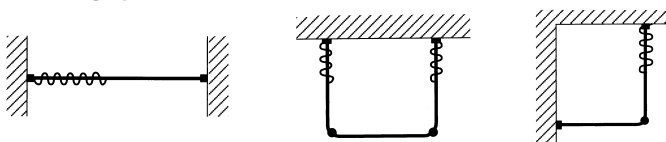


Distance between brackets max 1000 mm.
Extra holders/brackets are recommended where the curtain is parked, when not in use.

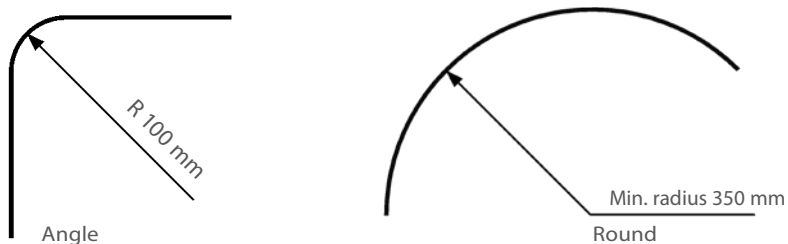
Recommended distance if holders are used together with brackets:

- 1000 mm with 50 mm holder
- 800 mm with 100 mm holder
- 600 mm with 150 mm holder
- 500 mm with 200 mm holder

Mounting options.



Bending



The track can be bent into complicated shapes, even in combinations of angle and round bending. Important! Front and back need to be specified on drawing/order. Contact Customer Service for more detailed information.